

MK5-FS-4'-NCTanmo

"Completely Driven"

Part Number: MK5-FS-4'-NCTANMO

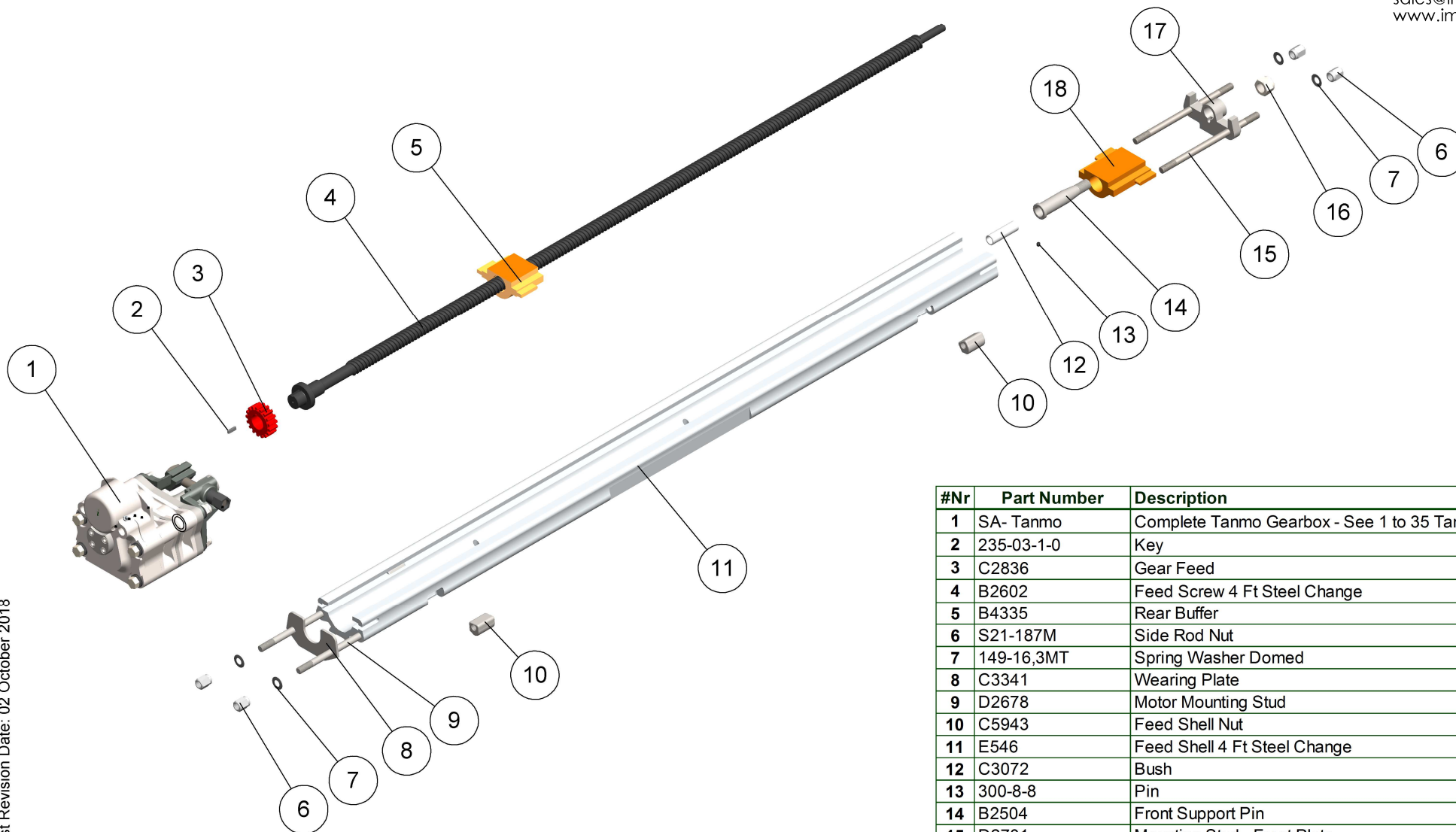
Feed Length OAL: E546 - 2006 mm (6.58 ft)

Feed Screw Length OAL: B2602 - 2058 mm (6.75 ft)

Gearbox : Tanmo (Double Stage)

Maximum Recommended Drill Rod length 1.2m (4 ft)

12 Piet Rautenbach str
 Rosslyn, Pretoria North
 South Africa
 Tel: +27(0) 12 541 0932
 Fax: +27(0) 12 541 5744
 sales@impco .co.za
 www.impco.co.za



#Nr	Part Number	Description	Qty
1	SA- Tanmo	Complete Tanmo Gearbox - See 1 to 35 Tanmo Schematic	1
2	235-03-1-0	Key	1
3	C2836	Gear Feed	1
4	B2602	Feed Screw 4 Ft Steel Change	1
5	B4335	Rear Buffer	1
6	S21-187M	Side Rod Nut	4
7	149-16,3MT	Spring Washer Domed	4
8	C3341	Wearing Plate	1
9	D2678	Motor Mounting Stud	2
10	C5943	Feed Shell Nut	4
11	E546	Feed Shell 4 Ft Steel Change	1
12	C3072	Bush	1
13	300-8-8	Pin	1
14	B2504	Front Support Pin	1
15	D2701	Mounting Stud - Front Plate	2
16	128-M24-2	Nylock Nut	1
17	B2505	Front Support late	1
18	B4677	Front Buffer	1