

MK5-FS-1M-RC

Part Number: MK5-FS-1M-RC

Feed Length OAL: E141-1M - 1790 mm (5.8 ft)

Feed Screw Length OAL: B2469-1M - 1838 mm (6.03 ft)

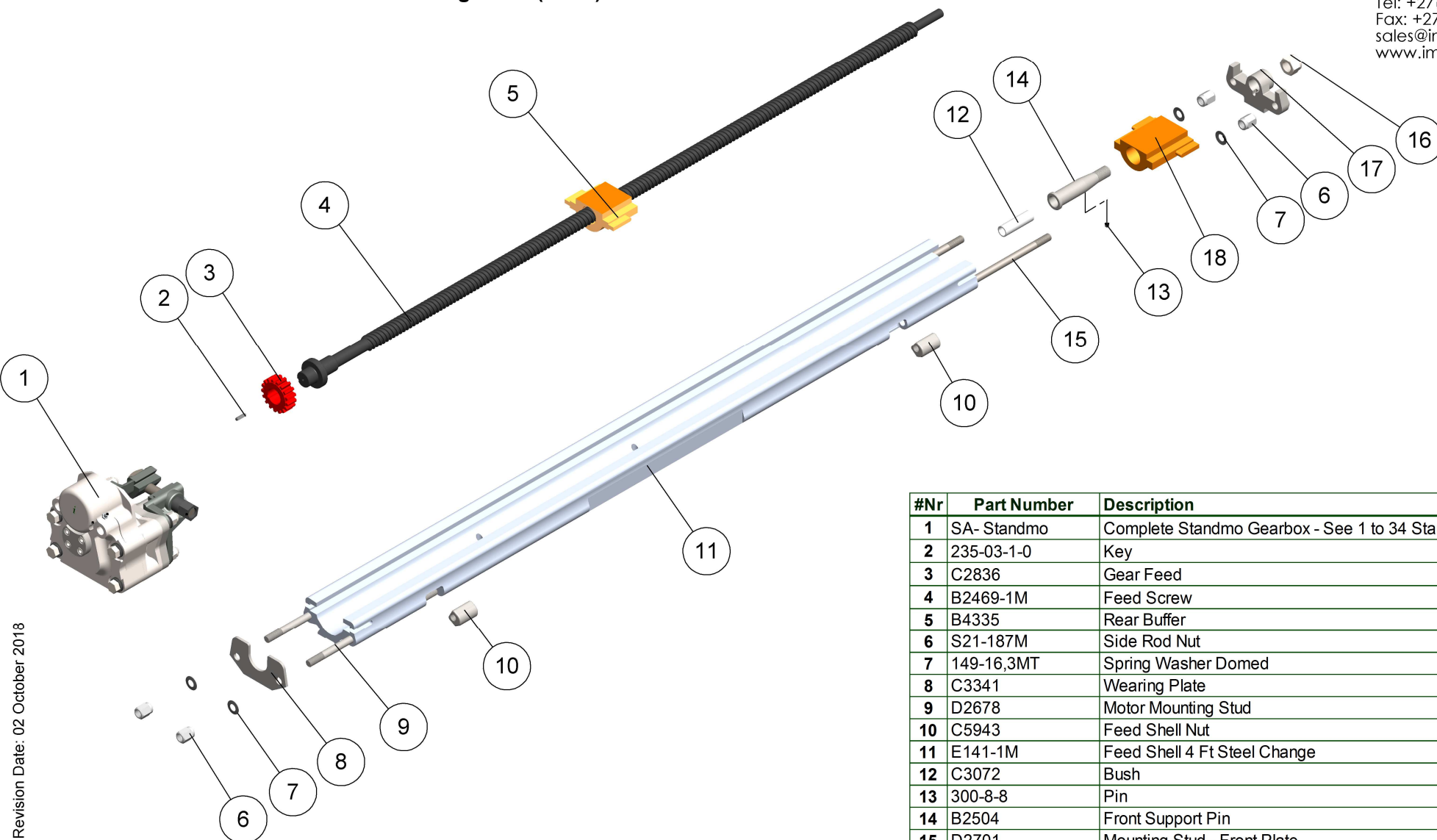
Gearbox : Standmo (Single Stage)

Maximum Recommended Drill Rod length 1m (3.2 ft)



"Completely Driven"

12 Piet Rautenbach str
Rosslyn, Pretoria North
South Africa
Tel: +27(0) 12 541 0932
Fax: +27(0) 12 541 5744
sales@impco .co.za
www.impco.co.za



#Nr	Part Number	Description	Qty
1	SA- Standmo	Complete Standmo Gearbox - See 1 to 34 Stanmo Schematic	1
2	235-03-1-0	Key	1
3	C2836	Gear Feed	1
4	B2469-1M	Feed Screw	1
5	B4335	Rear Buffer	1
6	S21-187M	Side Rod Nut	4
7	149-16,3MT	Spring Washer Domed	4
8	C3341	Wearing Plate	1
9	D2678	Motor Mounting Stud	2
10	C5943	Feed Shell Nut	4
11	E141-1M	Feed Shell 4 Ft Steel Change	1
12	C3072	Bush	1
13	300-8-8	Pin	1
14	B2504	Front Support Pin	1
15	D2701	Mounting Stud - Front Plate	2
16	128-M24-2	Nylock Nut	1
17	B2505	Front Support late	1
18	B4677	Front Buffer	1

Last Revision Date: 02 October 2018

MK5-FS-1M-RC

Part Number: MK5-FS-1M-RC

Feed Length OAL: E141-1M - 1790 mm (5.8 ft)

Feed Screw Length OAL: B2469-1M - 1838 mm (6.03 ft)

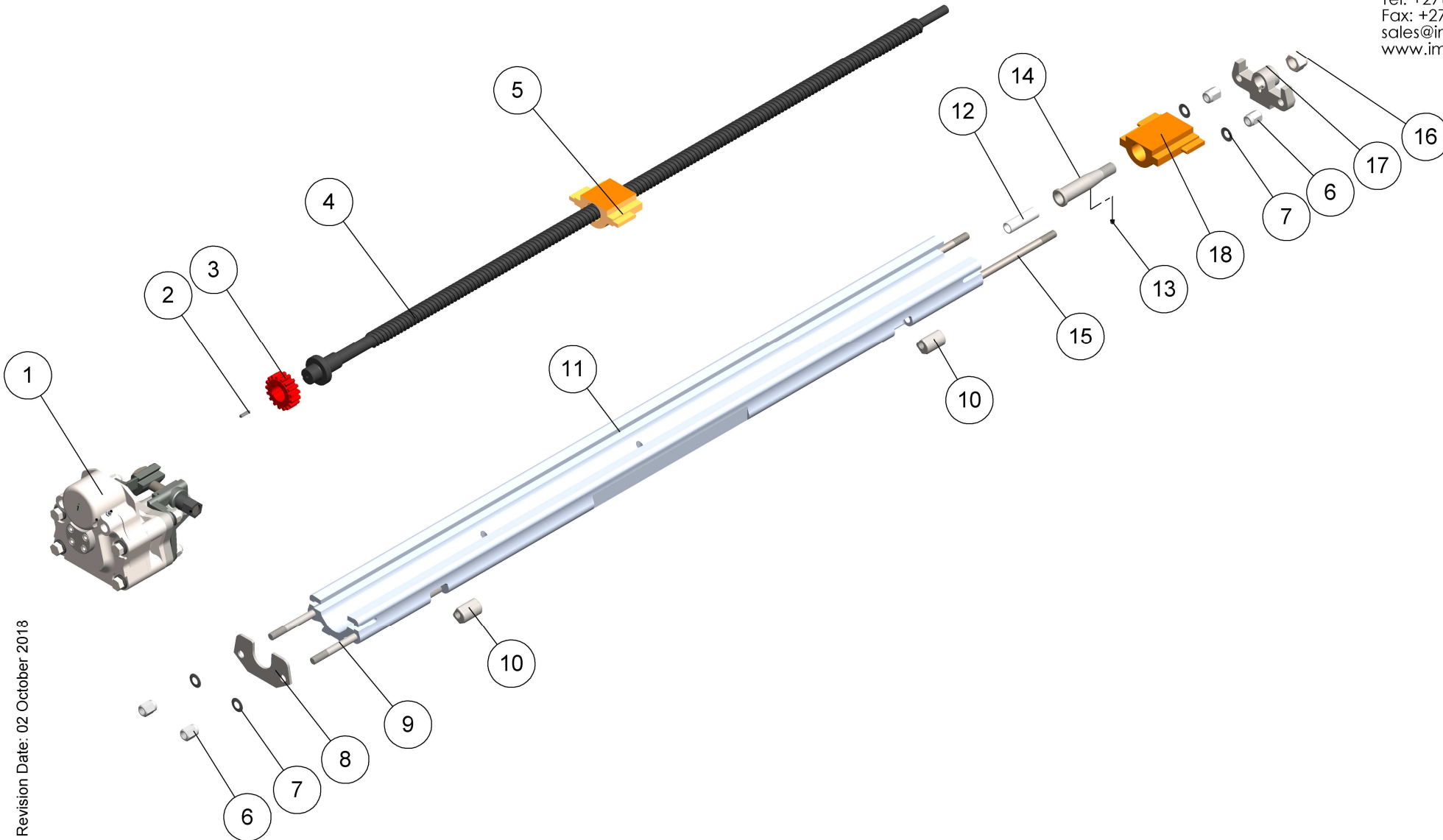
Gearbox : Standmo (Single Stage)

Maximum Recommended Drill Rod length 1m (3.2 ft)



"Completely Driven"

12 Piet Rautenbach str
Rosslyn, Pretoria North
South Africa
Tel: +27(0) 12 541 0932
Fax: +27(0) 12 541 5744
sales@impco.co.za
www.impco.co.za



Last Revision Date: 02 October 2018