

Pneumatic Collaring Device Non Jaw

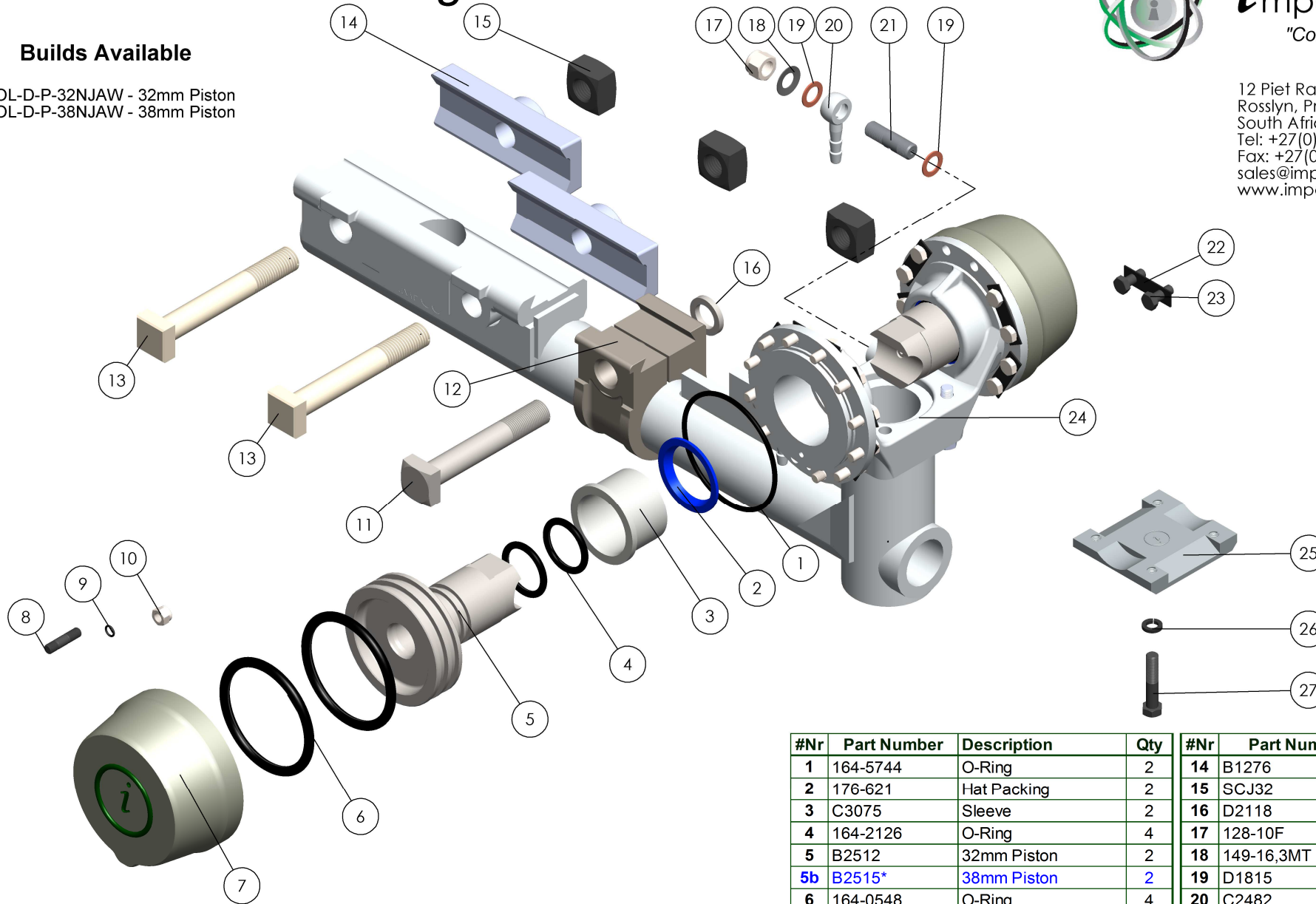


Impco Engineering
"Completely Driven"

12 Piet Rautenbach str
Rosslyn, Pretoria North
South Africa
Tel: +27(0) 12 541 0932
Fax: +27(0) 12 541 5744
sales@impco.co.za
www.impco.co.za

Builds Available

COL-D-P-32NJAW - 32mm Piston
COL-D-P-38NJAW - 38mm Piston



#Nr	Part Number	Description	Qty	#Nr	Part Number	Description	Qty
1	164-5744	O-Ring	2	14	B1276	Cone Clamp Plate	2
2	176-621	Hat Packing	2	15	SCJ32	Nut	3
3	C3075	Sleeve	2	16	D2118	Washer	1
4	164-2126	O-Ring	4	17	128-10F	Nyloc Nut	2
5	B2512	32mm Piston	2	18	149-16,3MT	Disc Washer	2
5b	B2515*	38mm Piston	2	19	D1815	Copper Washer	4
6	164-0548	O-Ring	4	20	C2482	Banjo Fitting	2
7	A1768-A	Cylinder Cap	2	21	D2018	Air Inlet Stud	2
8	228-M10-40	Stud	4	22	D2447	Tab Washer	10
9	164-7302	O-Ring	2	23	102-M10-25	Bolt	20
10	128-M10	Nyloc Nut	4	24	E534	Support Bare	1
11	C3076	Front Clamp Bolt	1	25	B2513A	Wearing Plate	1
12	A1769	Front Clamp	1	26	143-M12	Spring Washer	4
13	C1729	Cone Clamp Bolt	2	27	102-M12-65	Bolt	4

* Options Available